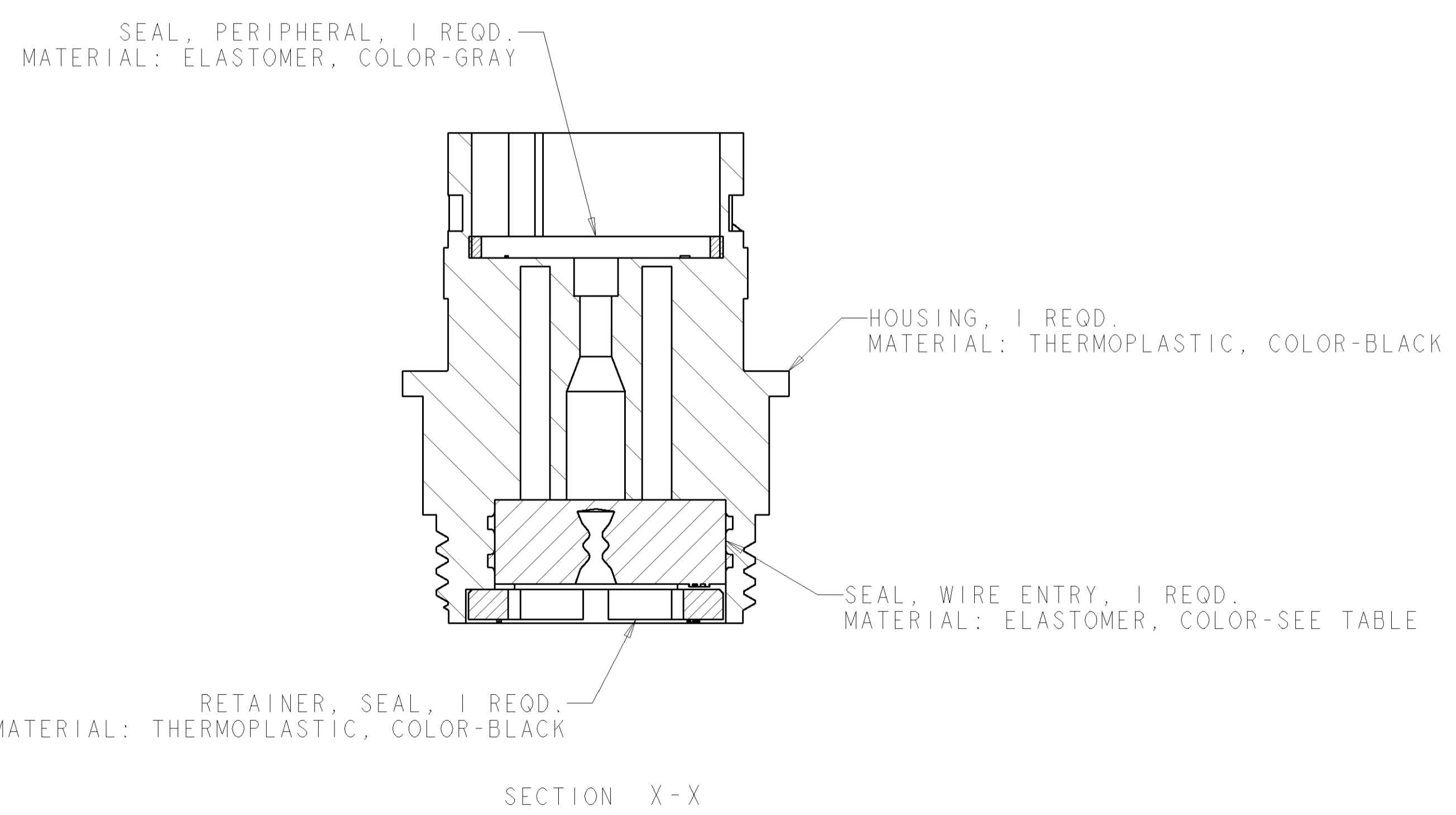
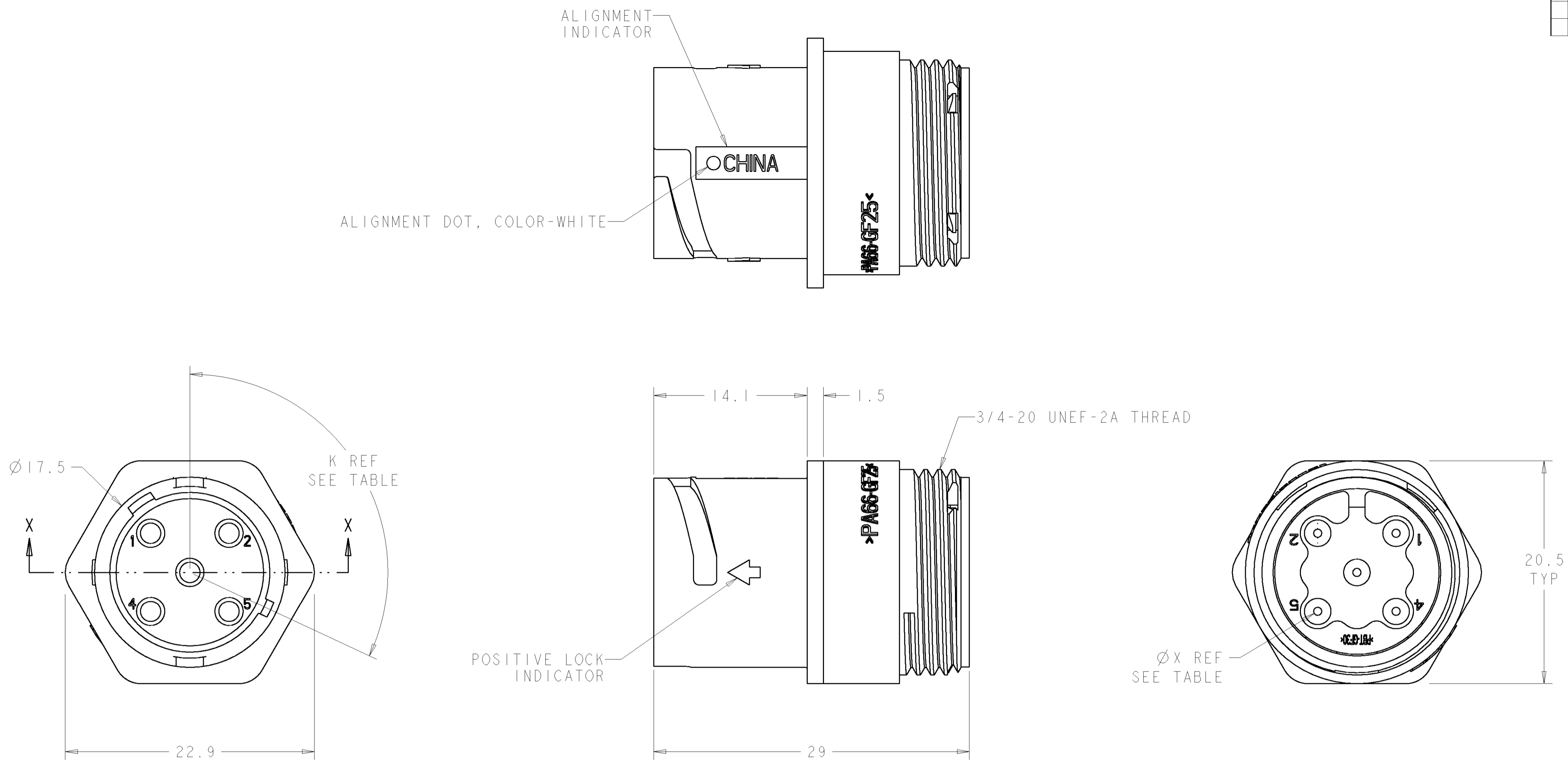


LOC		DIST		REVISIONS			
FT	0	P	LTR	DESCRIPTION	DATE	DWN	APVD
		A		REVISED EC 063B-0326-03	13JUN2003	SW	HW
		B		REVISED EC 063B-0390-04	25MAY2004	SW	HW



QUALIFICATION TEST PENDING

SEAL, WIRE ENTRY COLOR	Ø X REF	K REF	PART NUMBER
YELLOW	Ø0.75	135°	1445829-04
NATURAL	Ø1.5	115°	1445829-03
NATURAL	Ø1.5	135°	1445829-02
YELLOW	Ø0.75	115°	1445829-01

<small>THIS DRAWING IS UNPUBLISHED. RELEASED FOR PUBLICATION. ALL RIGHTS RESERVED. © 2004 BY TYCO ELECTRONICS CORPORATION.</small>		DWN SHANE WIESE 23OCT2001 ENR G DOUTY 23OCT2001 APVD H WAKEEM 13JUN2003	tyco Electronics Tyco Electronics Harrisburg, PA 17105-3608
DIMENSIONS: mm 	TOLERANCES UNLESS OTHERWISE SPECIFIED: 0 PLC ± 1 PLC ± 2 PLC ±0.13 3 PLC ± 4 PLC ± ANGLES ± FINISH -	NAME ASSEMBLY, SIZE 11, 5 POSITION, FREE HANGING, SEALED, MINI CPC PRODUCT SPEC - APPLICATION SPEC - WEIGHT - CUSTOMER DRAWING	SIZE CAGE CODE DRAWING NO RESTRICTED TO A 00779 C=1445829 - SCALE 4:1 SHEET 1 OF 1 REV B